

Scrap Bins

Standard Features:

- 12 Ga Prime Steel Construction with "V" Grooved Vertical Ribs
- 12 Ga Formed Pan Bottom
- 1.5" Tube Banding
- 7 Ga Entry Channels with 2- or 4-Way Entry & Stacking Clips
- The Inside is Fully Welded
- 1 1/2" Drain Plug
- Manufactured using Prime Steel
- Rust Inhibitive Primer (Inside & Out)
- Industrial Enamel Finish Coat



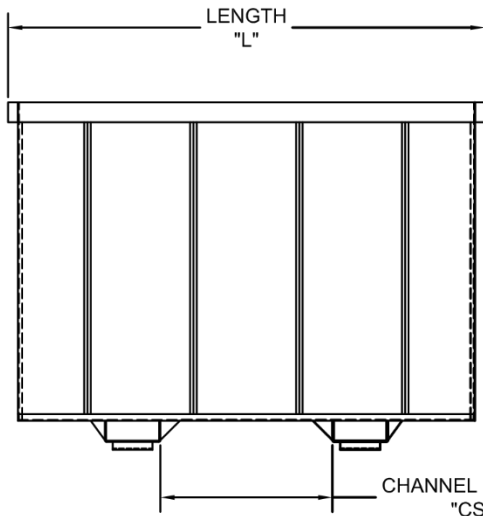
Additional Options Upon Request:

- Various Lids Available
- All Size Channels Available
- I.D. Welding
- Lifting Slings
- Casters
- Heavier or Lighter Gauges
- Underseal Available (Inside & Out)
- Custom Sizes Available
- Custom Paint & Primer
- ID Weld or Stencil

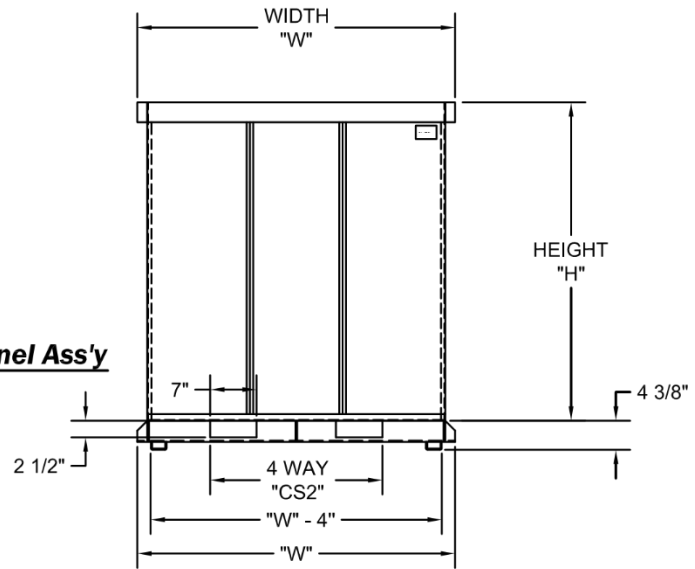


McLaughlin Waste Equipment, INC.
11900 E. Locke Rd. Lockeford, Ca 95237
Office: (209) 367-8810 Fax: (209) 367-8629

www.mwecans.com

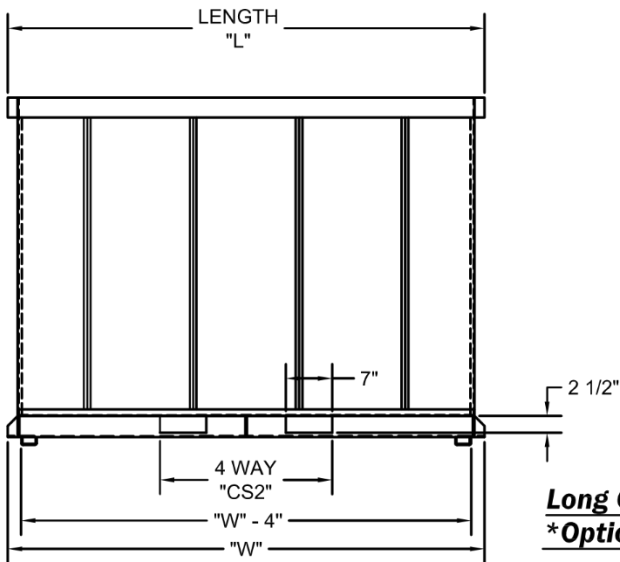


Short Channel Ass'y

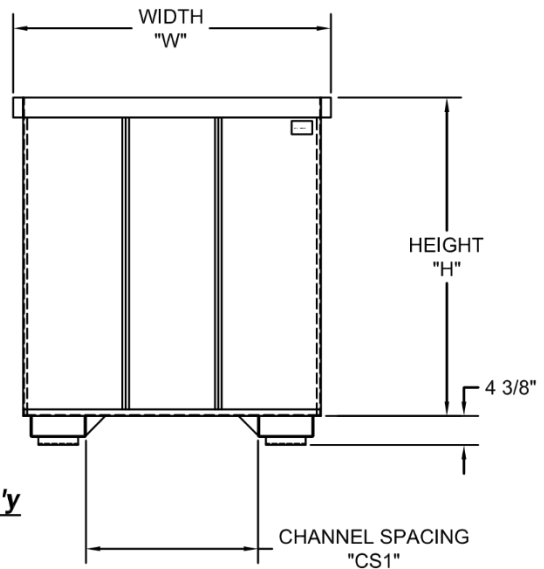


Scrap Bins

PRODUCT #	LENGTH "L"	WIDTH "W"	HEIGHT "H"	CHANNEL "CS1"	4 WAY "CS2"	WEIGHT APPROX.
CSB48X45X48	48"	45"	48"	26"	38"	443#
CSB4X4X4	48"	48"	48"	26"	38"	457#
CSB5X4X4	60"	48"	48"	26"	38"	533#
CSB6X4X4	72"	48"	48"	26"	38"	609#
CSB7X4X4	84"	48"	48"	26"	38"	685#
CSB8X4X4	96"	48"	48"	26"	38"	759#



Long Channel Ass'y
***Optional**



Proud member of The California Refuse Removal Council (CRRC), Solid Waste Association of America (SWANA), and The Clara Mateo Garbage Association.

These containers meet or exceed ANSI Z245.3 container safety requirements, and carry a 2 Yr. Warranty.

Note: All specifications are subject to change without notice. Unless stated otherwise in writing, container sizes indicated are nominal sizes. Actual volume may vary from nominal sizes.

